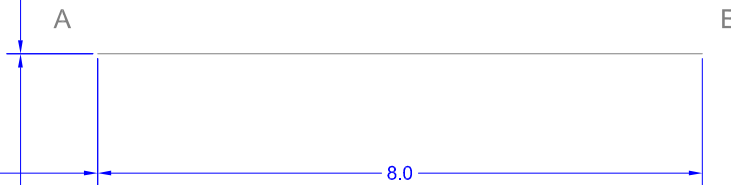
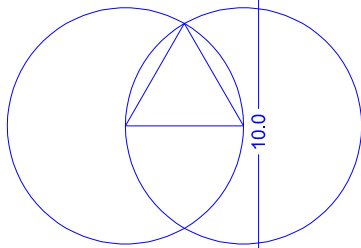
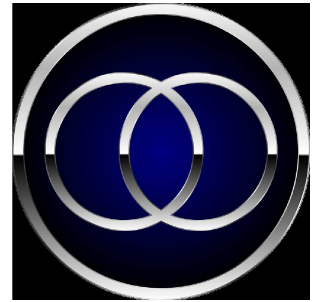


ACTIVITY 1.7:

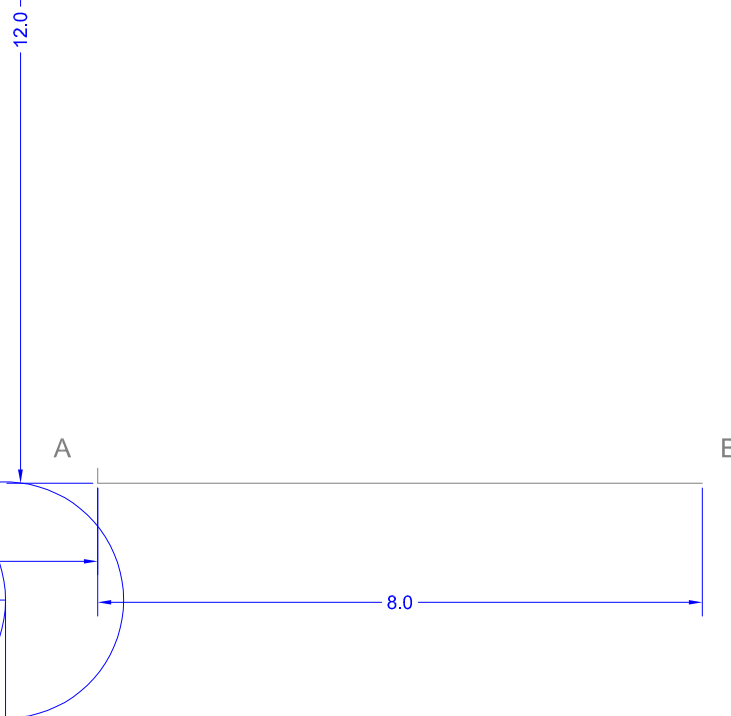
Build regular polygons using sacred geometry (vesica piscis) **E3.6.1**

<http://estuprofe.com/juegos/2012/10/07/vesica-piscis/>

Equilateral triangle given the measurement of one side (8 cm)



Square given the length of one side (8 cm)



GROUP:

SURNAMES, FIRSTNAME

DATE:

SHEET:

1.7

2° ESO

VISUAL ARTS: LUIS ZURITA HERRERA

IES D. Pedro García Aguilera (Moratalla)